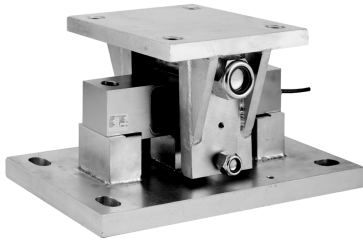




Heavy Duty Silo Mount for Use With 4158 Load Cell

FEATURES

- Capacities upto 75klb
- Use on tanks or silos
- All steel construction
- Low profile
- Simple installation



DESCRIPTION

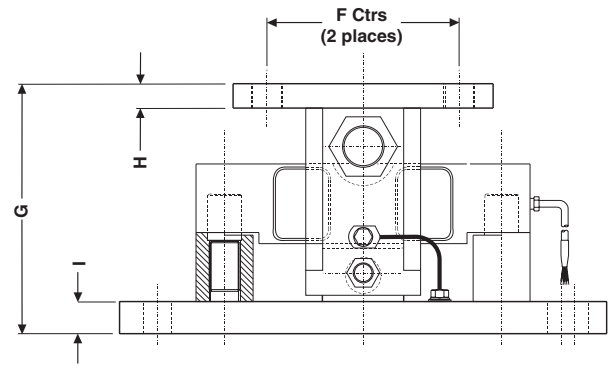
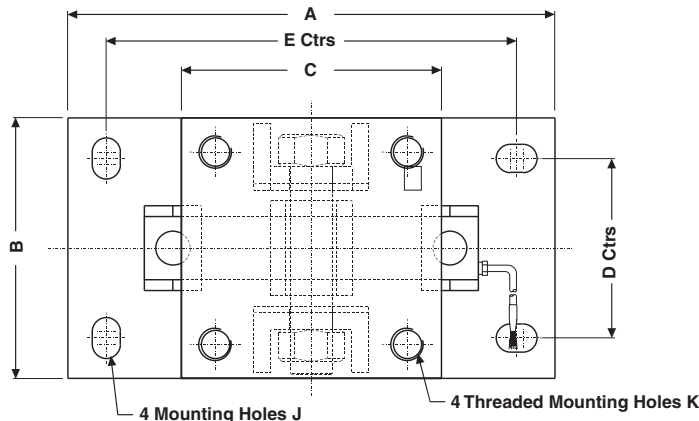
The 4158 silo mount is suitable for the support of tanks and silos, making it ideal for indoor or outdoor process control applications.

It is designed to support a uniformly distributed load and will allow tilt in any direction up to a maximum of $\pm 3^\circ$.

It forms a compact assembly which is rugged and tolerant of heavy industrial environments. Heavy gauge steel plate provides a rigid, robust load cell mount for high accuracy and prolonged life.

It incorporates lift-off protection and allows for thermal expansion of the weighing vessel.

OUTLINE DIMENSIONS in millimeters



This mount is designed for a uniformly distributed load on the top and bottom surfaces

Each comprises base plate assy, top plate assy, loading pin & support, bottom pin, mounting posts, retaining clips, earth strap with bolts & washers.

CAPACITY	A	B	C	D	E	F	G	H	I	J	K
10 - 25klb	240	180	180	130	190	190	142	12.7	19	Ø18x28	M20
40klb	380	203	203	140	320	150	195	19	25	Ø22x32	M24
50 - 75klb	380	203	203	140	320	150	210	19	25	Ø22x32	M24

VISHAY TRANSDUCERS (VT) SALES OFFICES

VT Americas
City of Industry, CA
PH: +1-626-858-8899
FAX: +1-626-332-3418
vt.us@vishaymg.com

VT Netherlands
Breda
PH: +31-76-548-0700
FAX: +31-76-541-2854
vt.nl@vishaymg.com

VMG UK
Basingstoke
PH: +44-125-646-2131
FAX: +44-125-647-1441
vt.uk@vishaymg.com

VMG Israel
Netanya
PH: +972-9-863-8888
FAX: +972-9-863-8800
vt.il@vishaymg.com

VMG Germany
Heilbronn
PH: +49-7131-3901-260
FAX: +49-7131-3901-2666
vt.de@vishaymg.com

VT China
Tianjin
PH: +86-22-2835-3503
FAX: +86-22-2835-7261
vt.prc@vishaymg.com

VMG France
Chartres
PH: +33-2-37-33-31-20
FAX: +33-2-37-33-31-29
vt.fr@vishaymg.com

VT Taiwan*
Taipei
PH: +886-2-2696-0168
FAX: +886-2-2696-4965
vt.roc@vishaymg.com
*Asia except China